

POWER FRAME

DE Montageanleitung

ES Instrucciones de montaje

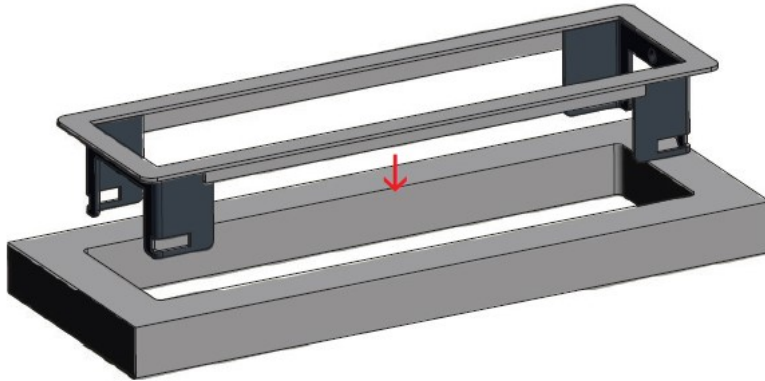
EN Mounting instructions

RO Instrucțiuni de montare

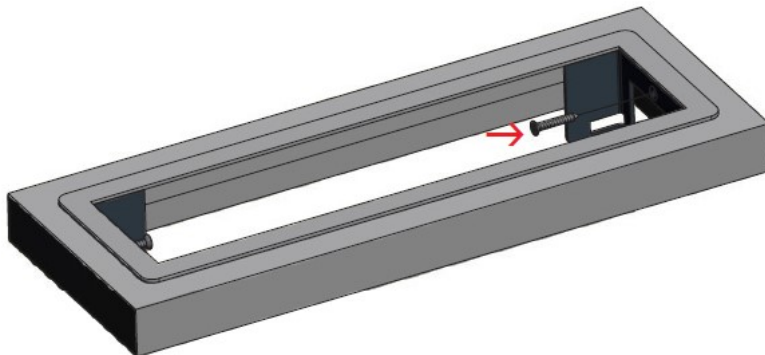
FR Instructions de montage

IT Istruzioni per l'installazione

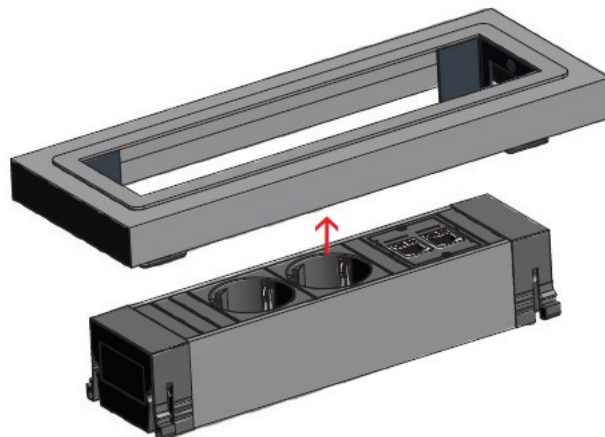
1.

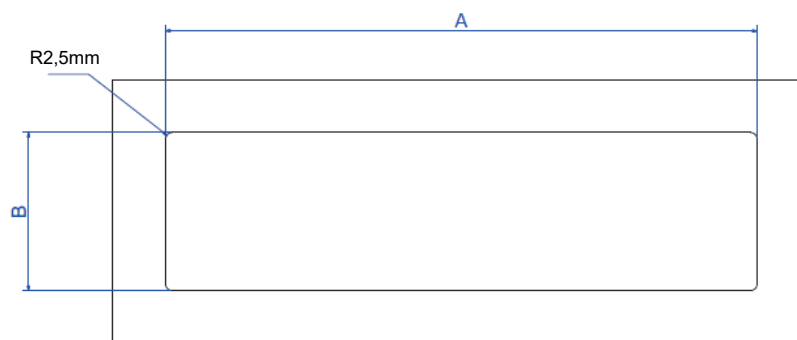
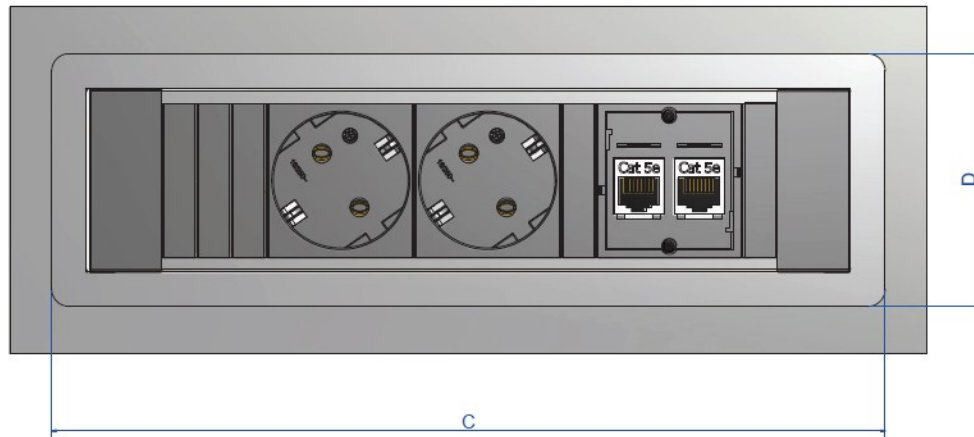


2.



3.





Tisch-Ausschnittmaße / Table cut-out dimensions

	A	B	C	D
3-fach / 3-way	225,00mm	60,00mm	241,00mm	73,00mm
4-fach / 4-way	267,50mm	60,00mm	283,50mm	73,00mm
6-fach / 6-way	352,50mm	60,00mm	368,50mm	73,00mm

Ausschnitt für flächenbündige
Version dem Produkt anpassen
Eckenradius 5mm

Adapt table section to product for
flush-mounted version
radius 5mm